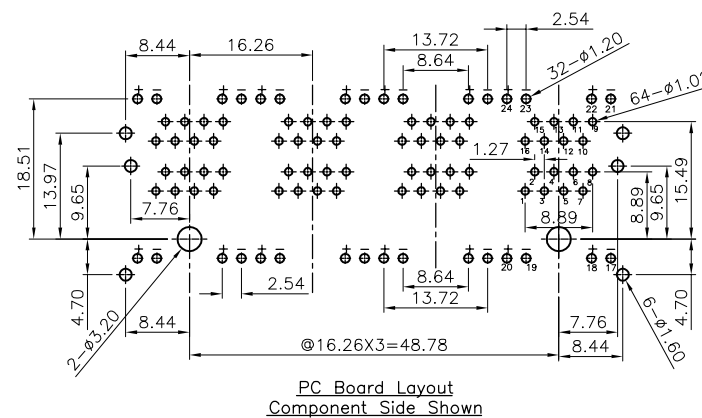
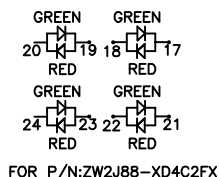
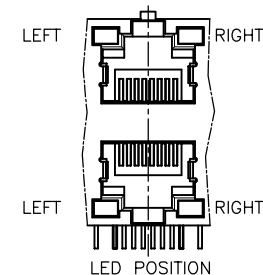
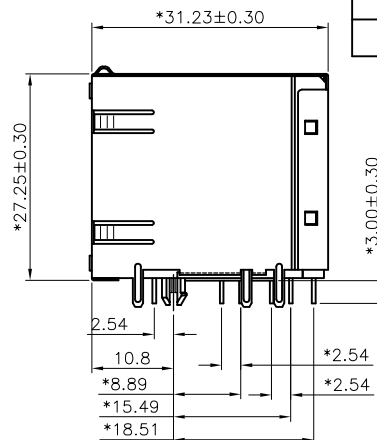
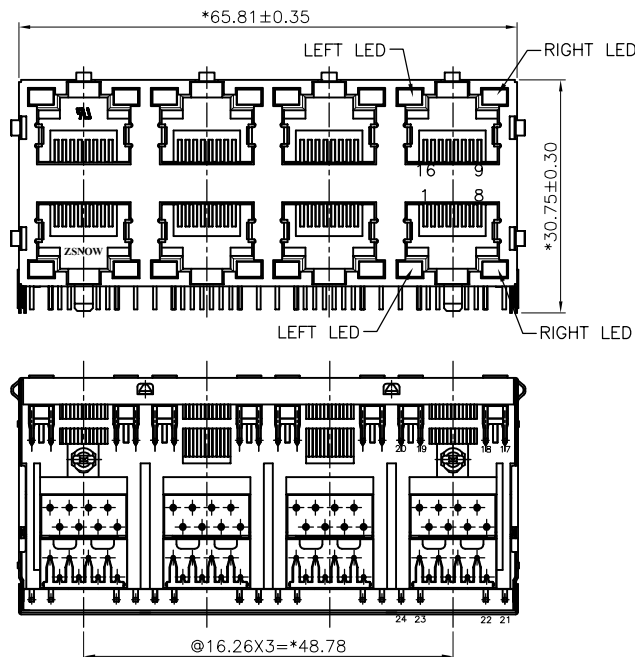


网站图纸

RoHS Compliant



NOTES:

ELECTRICAL:

- VOLTAGE RATING : 125 VAC RMS.
- CURRENT RATING : 1.5 AMP.
- CONTACT RESISTANCE : 50 MILLIOHMS MAX.
- INSULATION RESISTANCE: 1000 MEGOHMS MIN @ 500 VDC.
- DIELECTRIC STRENGTH : 1000 VAC RMS 60Hz, 1MIN.

MECHANICAL:

- HOUSING MATERIAL : PBT UL94V-0./COLOR:BLACK.
- INSERT MATERIAL : PBT UL94V-0./COLOR:BLACK.
- SHIELD MATERIAL : BRASS THICKNESS 0.25mm.
- CONTACT MATERIAL : PHOSPHOR BRONZE ϕ 0.46mm.
- PLATING : GOLD PLATING OVER NICKEL.
- OPERATING LIFE : 750 CYCLES MIN.
- PCB RETENTION PRE-SOLDER : 1 LB MIN.
- PCB RETENTION POST-SOLDER: 10 LBS MIN.
- LED COLOR : OPITON

ENVIRONMENTAL:

- STORAGE : -40°C TO +85°C.
 - OPERATION: -40°C TO +85°C.
- MATES WITH MODULAR PLUG CONFORMING TO FCC PART 68, SUBPART F.
PART NUMBER: ZW2J88-XX4C2FX

0-W/O LOGO
1-W/ ZSNOW LOGO
2-W/ "F" LOGO

Gold Thickness:
1-3u" 2- 6u" 3-15u"
4-30u" 5-50u" F-GOLD FLASH

A-LEFT LED:GREEN, RIGHT LED:GREEN
B-LEFT LED:GREEN, RIGHT LED:ORANGE
C-LEFT LED:GREEN, RIGHT LED:YELLOW
L-LEFT LED:YELLOW, RIGHT LED:GREEN
F-LEFT LED:ORANGE, RIGHT LED:GREEN
D-LEFT LED:G+R, RIGHT LED:G+R

禁用 PART NUMBER: ZW2J88-XX4C2FD

QC Inspection Item Cpk and SPC Control Item	DIMENSION IN mm [Inch]		ZSNOW ELECTRONIC CO., LTD				
	TOLERANCE UNLESS OTHERWISE SPECIFIED		PART NUMBER	DRAWING NUMBER			
	.X± 0.30 X.*± 2.0'		SEE NOTE	ZW2J88-XX4C2FX			
	.XX± 0.20 .X.*± 1.0'		TITLE				
.XXX± 0.10		RJ45(LED) STACKED GANGED JACK, 2X4					
APPROVE	TIMLEE	CHECK	ZERO	DRAW	YANGLAN	PROJ.	SHEET 1 OF 1
	01/26/16'		01/26/16'		11/20/09'	SCALE 2 : 1	SIZE A4 REV P3

THIS INFORMATION IS CONFIDENTIAL AND IS DISCLOSED TO YOU ON A CONDITION THAT NO FURTHER DISCLOSURE IS MADE BY YOU TO OTHER THAN ZSNOW ELECTRONICS PERSONNEL WITHOUT WRITTEN AUTHORIZATION FROM NINGBO ZSNOW ELECTRONICS CO.,LTD.