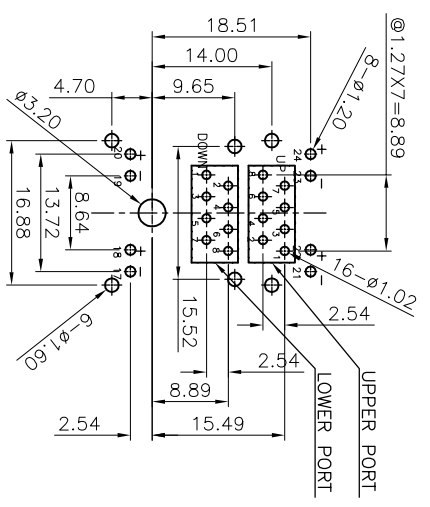
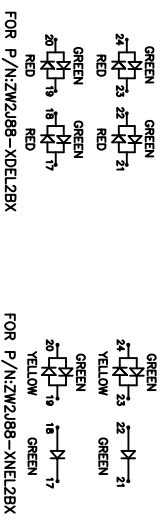
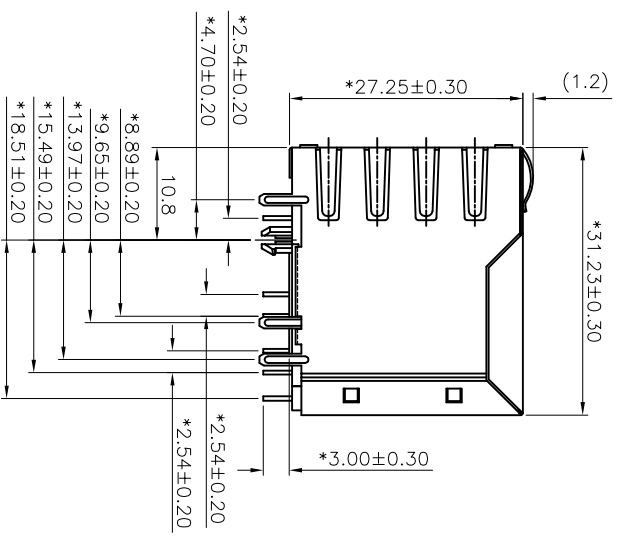
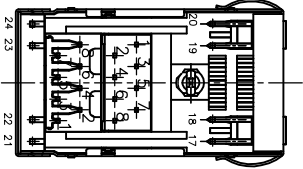
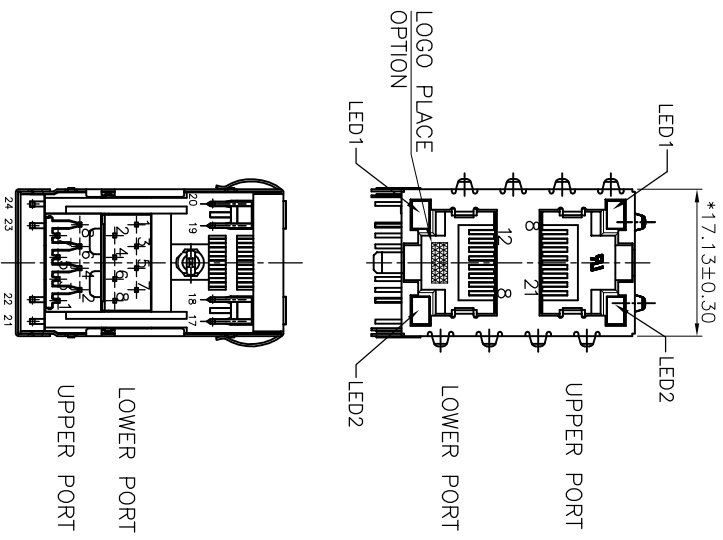


RoHS Compliant



PART NUMBER: ZW2U88-XXEL2BX
0-W/O LOGO
1-W/ ZSNOW LOGO
2-W/ F LOGO
GOLD OPTION:
1-3u" 2-6u" 3-15u"
4-30u" 5-50u" F-GOLD FLASH

A-LED1:GREEN, LED2:GREEN
B-LED1:GREEN, LED2:ORANGE
C-LED1:GREEN, LED2:YELLOW
L-LED1:YELLOW, LED2:GREEN
D-LED1:G+R, LED2:G+R
F-LED1:ORANGE, LED2:GREEN
N-LED1:G+Y, LED2:GREEN

- NOTES:
- ELECTRICAL:**
- VOLTAGE RATING : 125 VAC RMS.
 - CURRENT RATING : 1.5 AMP.
 - CONTACT RESISTANCE : 60 MILLIOHMS MAX.
 - INSULATION RESISTANCE: 1000 MEGOHMS MIN @ 500 VDC.
 - DIELECTRIC STRENGTH : 1000 VDC RMS 60Hz, 1MIN.
- MECHANICAL:**
- HOUSING MATERIAL : PBT+30%GF UL94V-0./COLOR:BLACK.
 - CONTACT MATERIAL : PHOSPHOR BRONZE t=0.35mm.
 - PLATING : GOLD PLATING OVER NICKEL.
 - OPERATING LIFE : 750 CYCLES MIN.
 - PCB RETENTION PRE-SOLDER : 1 LB MIN.
 - PCB RETENTION POST-SOLDER: 10 LBS MIN.
 - LED COLOR : OPTION
- ENVIRONMENTAL:**
- STORAGE : -40°C TO +85°C.
 - OPERATION: -40°C TO +85°C.
 - WAVE SOLDERING TEMPERATURE: 230~240°C(3~5 SECONDS).
 - ROHS COMPLIANT.
- MATES WITH MODULAR PLUG CONFORMING TO FCC PART 68, SUBPART F. CUL FILE NO. E345295

INSPECTION ITEM		PART NUMBER		DRAWING NUMBER	
DIMENSION IN mm [Inch]		ZW2U88-XXEL2BX		ZW2U88-XXEL2BX	
TOLERANCE UNLESS OTHERWISE SPECIFIED		TITLE		R145(LED) STACKED GANGED JACK, 2X1	
.X ± 0.30 X. ± 2.0°		PART NUMBER		ZSNOW ELECTRONIC CO., LTD	
.XX ± 0.20 X. ± 1.0°		DRAWING NUMBER		ZSNOW ELECTRONIC CO., LTD	
.XXX ± 0.10 X. ± 1.0°		PART NUMBER		ZW2U88-XXEL2BX	
APPROVE	CHECK	DATE	DATE	SCALE	SIZE
TIMLEE	KOBEMA	04/07/13	04/07/13	2:1	A3
DWG		SKYCHEN		SHEET 1 OF 1	
04/07/13		04/07/13		REV P1	