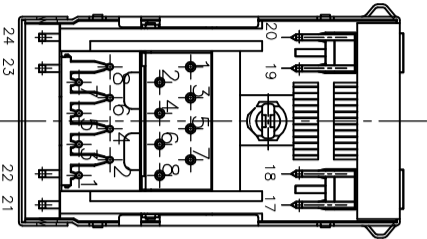
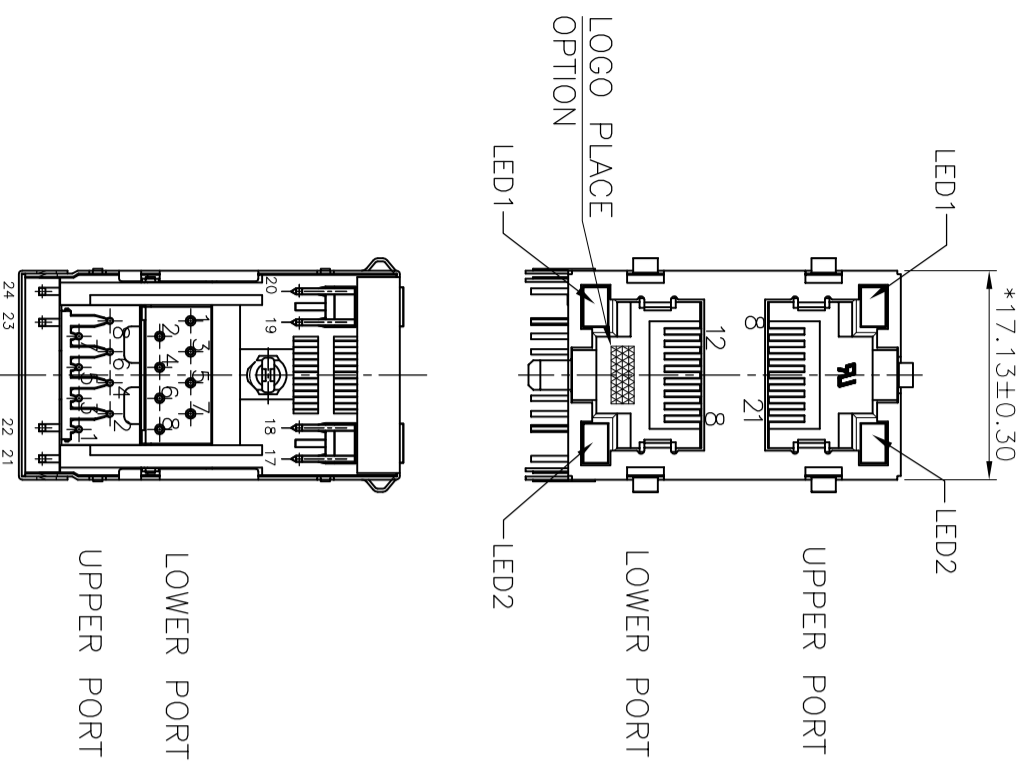
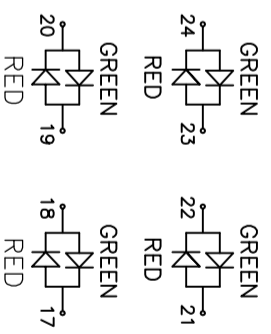
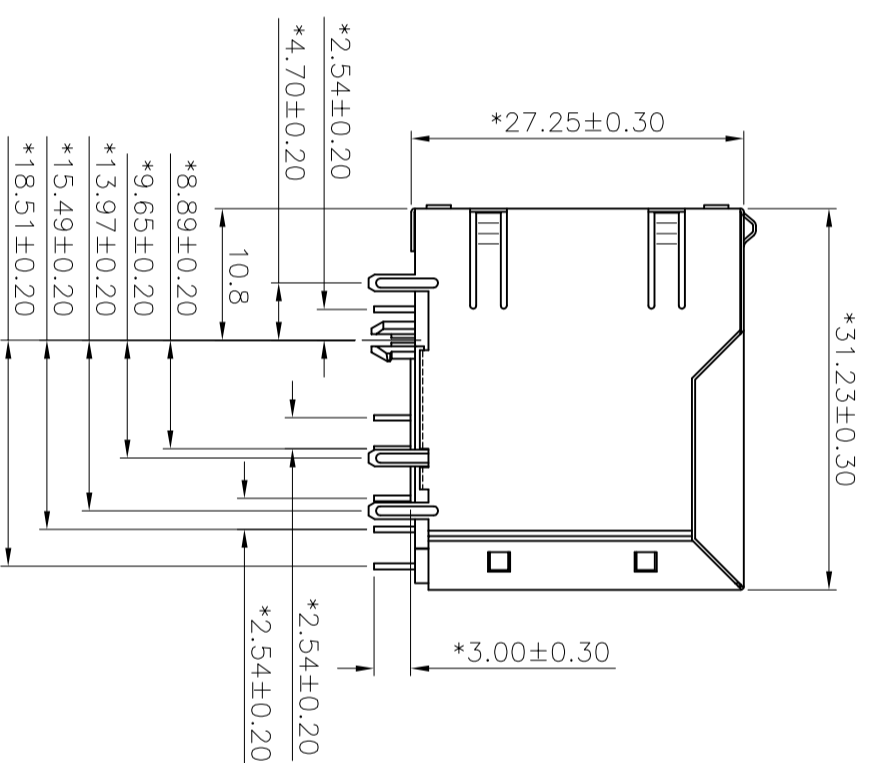


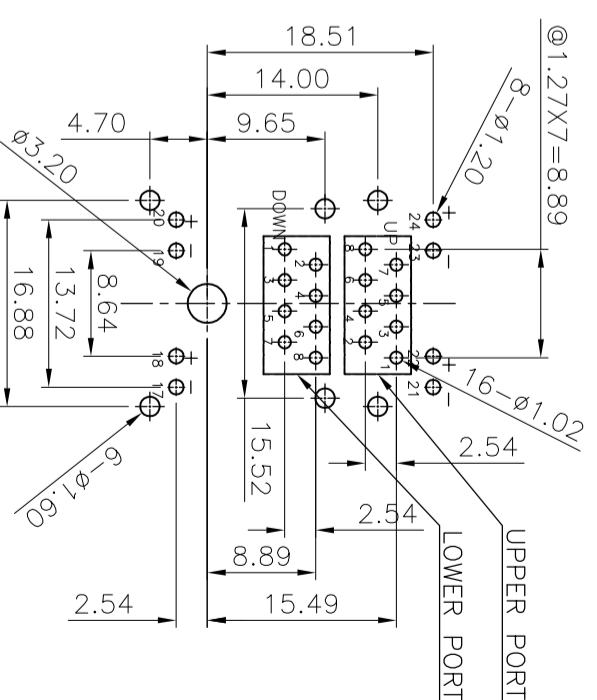
RoHS Compliant



LOWER PORT
UPPER PORT



FOR P/N: ZW2J88-XDXL2FX



PC Board Layout Component Side Shown
PC Board Thickness=1.6mm
Tolerance±0.05

PART NUMBER: ZW2J88-XXXL2FX

- 0-W/O LOGO
1-W/ ZSNOW LOGO
2-W/ "F" LOGO
- GOLD OPTION:
1-3u" 2-6u" 3-15u"
4-30u" 5-50u" F-GOLD FLASH
- 4-W/O TOP TABS AND SIDE TABS
- A-LED1:GREEN, LED2:GREEN
B-LED1:GREEN, LED2:ORANGE
C-LED1:GREEN, LED2:YELLOW
L-LED1:YELLOW, LED2:GREEN
D-LED1:G+R, LED2:G+R
F-LED1:ORANGE, LED2:GREEN

- NOTES:
ELECTRICAL:
1. VOLTAGE RATING : 125 VAC RMS.
2. CURRENT RATING : 1.5 AMP.
3. CONTACT RESISTANCE : 60 MILLIOHMS MAX.
4. INSULATION RESISTANCE: 1000 MEGOHMS MIN @ 500 VDC.
5. DIELECTRIC STRENGTH : 1000 VDC RMS 60Hz, 1MIN.

- MECHANICAL:
1. HOUSING MATERIAL : PBT+30%GF UL94V-0./COLOR:BLACK.
2. CONTACT MATERIAL : PHOSPHOR BRONZE Ø0.46mm.
3. PLATING : GOLD PLATING OVER NICKEL.
4. OPERATING LIFE : 750 CYCLES MIN.
5. PCB RETENTION PRE-SOLDER : 1 LB MIN.
6. PCB RETENTION POST-SOLDER: 10 LBS MIN.
7. LED COLOR : OPTION

- ENVIRONMENTAL:
1. STORAGE : -40°C TO +85°C.
2. OPERATION: -40°C TO +85°C.
3. WAVE SOLDERING TEMPERATURE: 230~240°C(3~5 SECONDS).
4. ROHS COMPLIANT.
MATES WITH MODULAR PLUG CONFORMING TO
FCC PART 68, SUBPART F.
CUL FILE NO. E345295

DIMENSION IN mm [Inch]		PART NUMBER		DRAWING NUMBER	
TOLERANCE UNLESS OTHERWISE SPECIFIED		SEE NOTE		ZSNOW ELECTRONIC CO., LTD	
X ± 0.30	X* ± 2.0°	TITLE		RJ45 STACKED JACK, 2x1	
.XX ± 0.20	.X* ± 1.0°	PART NUMBER		ZW2J88-XXXL2FX	
.XXX ± 0.10		DRAW		YANGLIAN	
APPROVE	CHECK	SCALE		5:4	
TIMLEE	ZERO	SHEET		1 OF 1	
12/24/09'	12/24/09'	REV		P2	