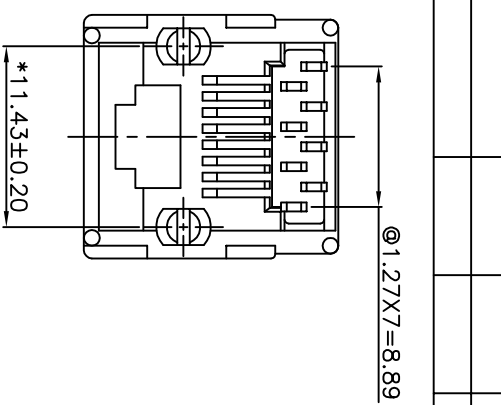
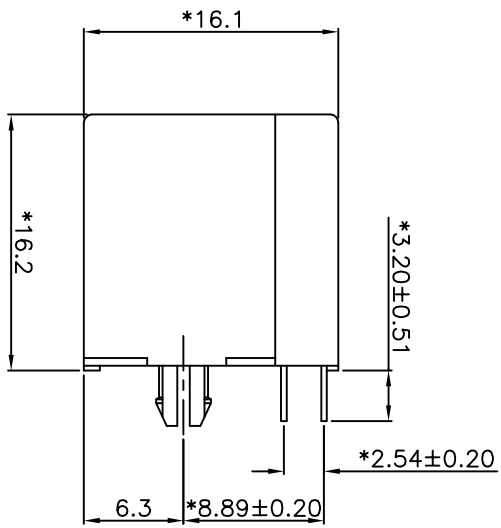
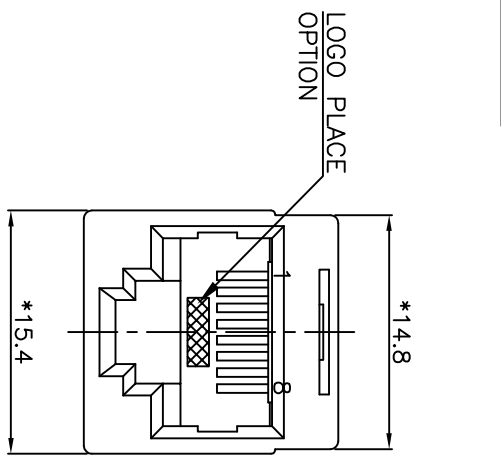


RoHS Compliant



NOTES:

ELECTRICAL:

1. VOLTAGE RATING : 125 VAC RMS.
2. CURRENT RATING : 1.5 AMP.
3. CONTACT RESISTANCE : 35 MILLIOHMS MAX.
4. INSULATION RESISTANCE: 1000MEGOHMS MIN @ 500 VDC.
5. DIELECTRIC STRENGTH : 1000 VDC RMS 60HZ, 1MIN.

MECHANICAL:

1. HOUSING MATERIAL : PBT+30%GF UL94V-0./COLOR:BLACK.
2. CONTACT MATERIAL : PHOSPHOR BRONZE t=0.35mm.
3. PLATING : GOLD PLATING OVER NICKEL.
4. OPERATING LIFE : 750 CYCLES MIN.
5. PCB RETENTION PRE-SOLDER : 1 LB MIN.
6. PCB RETENTION POST-SOLDER: 10 LBS MIN.

ENVIRONMENTAL:

1. STORAGE : -40°C TO +85°C.
2. OPERATION: -40°C TO +85°C.
3. WAVE SOLDERING TEMPERATURE: 230°C~240°C (3~5 SECONDS).
4. RoHS COMPLIANT.

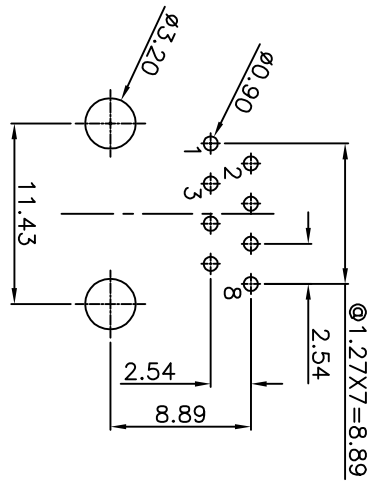
MATES WITH MODULAR PLUG CONFORMING TO

FCC PART 68, SUBPART F.

CUL FILE NO. E3452295

PART NUMBER: ZW2288-X30004X

- 0-W/O LOGO
- 1-W/ "ZSNOW" LOGO
- 2-W/ "F" LOGO
- 1-3u" 2-6u" 3-15u"
- 4-30u" 5-50u" F-GOLD FLASH



PC Board Layout Component Side Shown

PC Board Thickness=1.6mm

Tolerance±0.05

: Inspection Item		ZSNOW ELECTRONIC CO., LTD	
DIMENSION IN mm [Inch]	TOLERANCE UNLESS OTHERWISE SPECIFIED	PART NUMBER	DRAWING NUMBER
X.± 0.30	X.± 2.0°	ZW2288-X30004X	ZW2288-X30004X
.XX± 0.20	.X°± 1.0°		
.XXX± 0.10			
APPROVE	CHECK	DATE	SCALE
TIMLEE 01/16/14'	KOBEMA 01/16/14'	SKYCHEN 01/16/14'	3 : 1
TITLE		SHEET 1 OF 1	
RJ45 TOP ENTRY PCB JACK 1*1		REV P1	