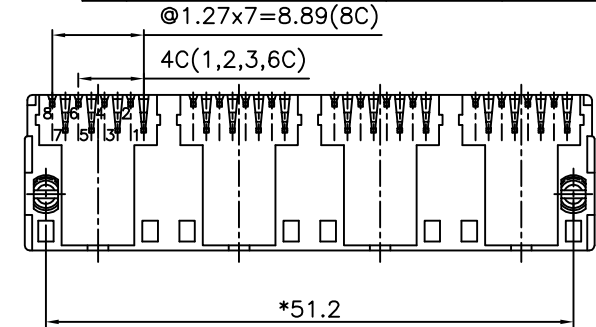
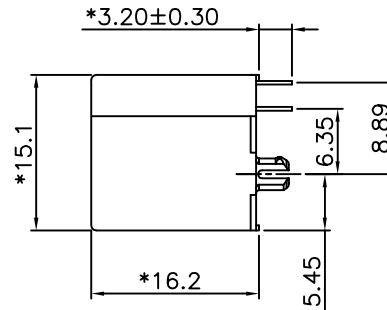
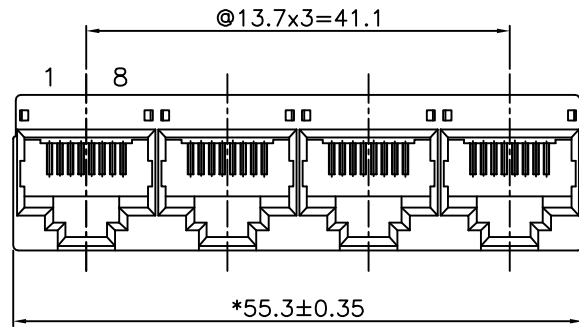


网站图纸

RoHS Compliant



NOTES:

ELECTRICAL:

1. VOLTAGE RATING : 125 VAC RMS.
2. CURRENT RATING : 1.5 AMP.
3. CONTACT RESISTANCE : 30 MILLIOHMS MAX.
4. INSULATION RESISTANCE: 1000 MEGOHMS MIN @ 500 VDC.
5. DIELECTRIC STRENGTH : 1000 VDC RMS 60Hz, 1MIN.

MECHANICAL:

1. HOUSING MATERIAL : PBT UL94V-0.
2. CONTACT MATERIAL : PHOSPHOR BRONZE $\phi 0.46\text{mm}$.
3. PLATING : GOLD PLATING OVER NICKEL.
4. OPERATING LIFE : 750 CYCLES MIN.
5. PCB RETENTION PRE-SOLDER : 1 LB MIN.
6. PCB RETENTION POST-SOLDER: 10 LBS MIN.

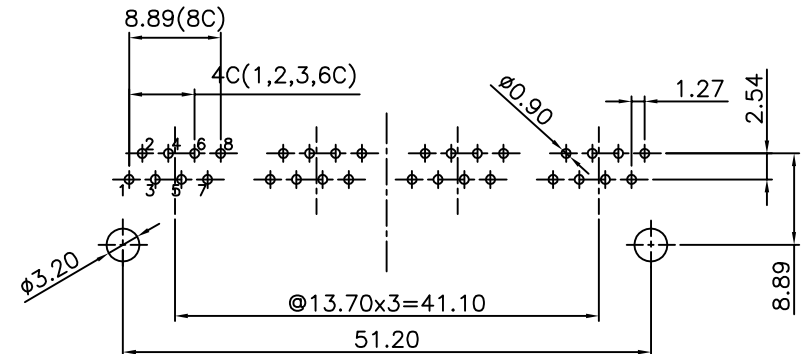
ENVIRONMENTAL:

1. STORAGE : -40°C TO $+85^{\circ}\text{C}$.
2. OPERATION: -40°C TO $+85^{\circ}\text{C}$.
3. WAVE SOLDERING TEMPERATURE: $230\sim 250^{\circ}\text{C}$ (3~5 SECONDS).
4. RoHS COMPLIANT.

MATES WITH MODULAR PLUG CONFORMING TO
 FCC PART 68, SUBPART F.
 CUL FILE NO. E345295
 PART NUMBER: ZW228X-030CX2X

1-3u" 2-6u"
 3-15u" 4-30u"
 5-50u" F-GOLD FLASH

Color Of Housing:
 Z-PBT YELLOW 114C
 O-PBT BLACK
 Y-PBT COOL GRAY 3U



PC Board Layout Component Side Shown
 PC Board Thickness=1.6mm
 Tolerance ± 0.05

QC : Inspection Item CPX : Cp/Cpk and SPC Control Item	DIMENSION IN mm [Inch]		ZSNOW ELECTRONIC CO., LTD			
	TOLERANCE UNLESS OTHERWISE SPECIFIED		PART NUMBER		DRAWING NUMBER	
	.X \pm 0.30 X.* \pm 2.0'		SEE NOTE		ZW228X-X30CX2X	
	.XX \pm 0.20 .X.* \pm 1.0'		TITLE			
.XXX \pm 0.10		TOP ENTRY GANG JACK 1*4 W/O SHIELD				
APPROVE	CHECK	DRAW	PROJ.	SHEET 1 OF 1		
TIMLEE 06/25/19'	HAPPY 06/25/19'	ZERO 06/25/19'	SCALE 5 : 3	SIZE A4	REV P3	

THIS INFORMATION IS CONFIDENTIAL AND IS DISCLOSED TO YOU ON CONDITION THAT NO FURTHER DISCLOSURE IS MADE BY YOU TO OTHER THAN ZSNOW ELECTRONICS PERSONNEL WITHOUT WRITTEN AUTHORIZATION FROM ZSNOW ELECTRONICS CO.,LTD.