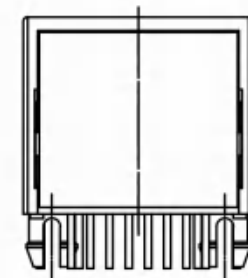
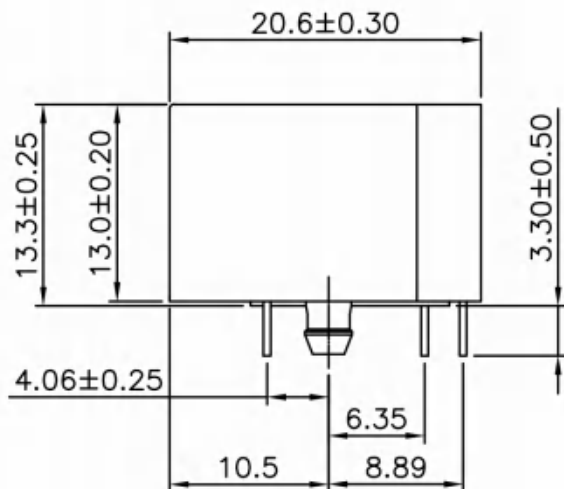
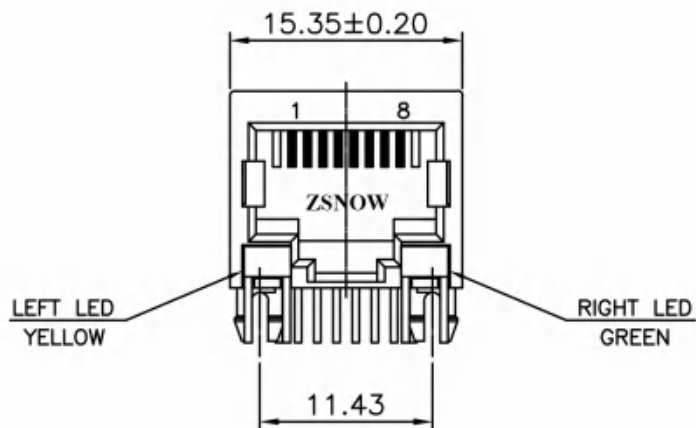


RoHS Compliant



NOTES:

ELECTRICAL:

1. VOLTAGE RATING : 125 VAC RMS .
2. CURRENT RATING : 1.5 AMP
3. CONTACT RESISTANCE : 45 MILLIOHMS MAX.
4. INSULATION RESISTANCE: 500 MEGOHMS MIN @ 500 VDC,1MIN.
5. DIELECTRIC STRENGTH : 1000 VDC/0.5mA RMS 60Hz, 1MIN.
6. LED RATINGS: FORWARD VOLTAGE: 2.2 VOLTS TYPICAL.
REVERSE VOLTAGE: 5 VOLTS MAXIMUM.

MECHANICAL:

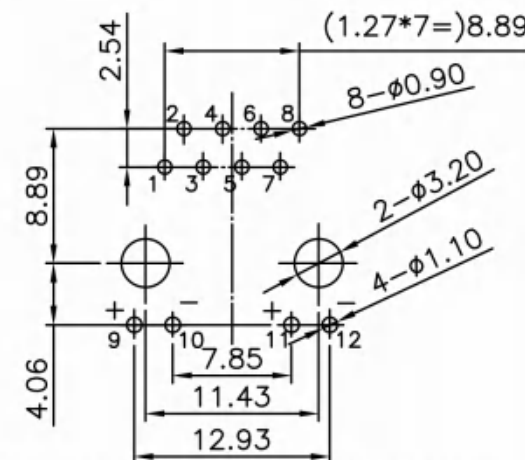
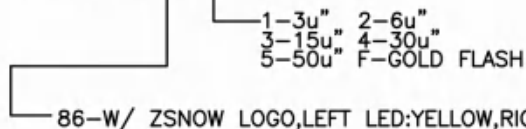
1. HOUSING MATERIAL : NYLON UL94V-0.
2. CONTACT MATERIAL : PHOSPHOR BRONZE ϕ 0.46mm.
3. PLATING : GOLD PLATING OVER NICKEL.
4. OPERATING LIFE : 750 CYCLES MIN.
5. PCB RETENTION PRE-SOLDER : 1 LB MIN.
6. PCB RETENTION POST-SOLDER: 10 LBS MIN.

ENVIRONMENTAL:

1. STORAGE : -40°C TO +85°C.
2. OPERATION: -40°C TO +85°C.
3. WAVE SOLDERING TEMPERATURE: 250~260°C(3~5 SECONDS).
4. RoHS COMPLIANT.

MATES WITH MODULAR PLUG CONFORMING TO
FCC PART 68, SUBPART F.

PART NUMBER: ZW2J88-J3XXS1X



PC Board Layout Component Side Shown
PC Board Thickness=1.6mm
Tolerance±0.05

inspection item	DIMENSION IN mm [Inch]		ZSNOW ELECTRONIC CO., LTD	
	TOLERANCE UNLESS OTHERWISE SPECIFIED			
	.X± 0.30	X.*± 2.0'	SEE NOTE	ZW2J8X-J3XXS1X-52
	.XX± 0.20	.X.*± 1.0'	TITLE	
.XXX± 0.10		20.57 LED JACK		
APPROVE	CHECK	DRAW	PROJ.	SHEET 1 OF 1
TIMLEE	ZERO	HAPPY		1 OF 1
09/09/19'	09/09/19'	04/02/19'	SCALE 3:2	REV P1
			SIZE A4	

THIS INFORMATION IS CONFIDENTIAL AND IS DISCLOSED TO YOU ON CONDITION THAT NO FURTHER DISCLOSURE IS MADE BY YOU TO OTHER THAN ZSNOW ELECTRONICS PERSONNEL WITHOUT WRITTEN AUTHORIZATION FROM ZSNOW ELECTRONICS CO., LTD.