

2.5G BASE-T QUAD PORT LAN FILTER

Description

- Design for 2.5G ethernet application. Complying with IEEE 802.3at standard.
- Suitable for End-span POE applications with 720mA current capability.
- Comply with RoHS & Halogen Free requirements.
- Operating temperature range from: -40°C to +85°C.
- Storage temperature range from: -40°C to +85°C.

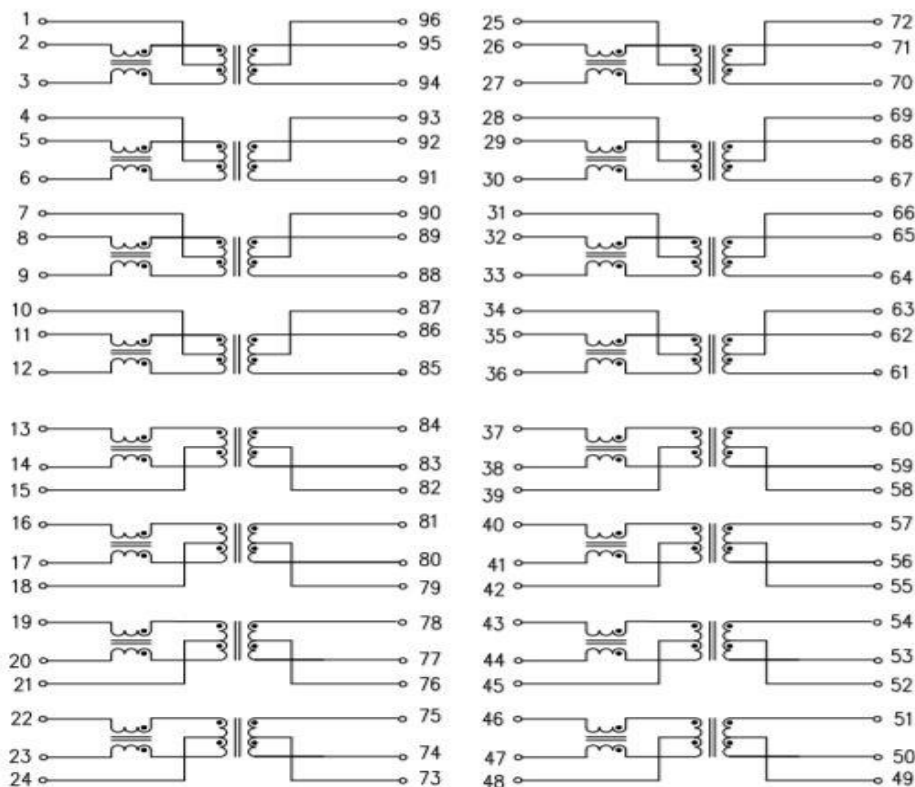


Electrical Specifications @ 25°C

Hi-pot:1500 Vrms , Turns Ratio TX/RX(±5%):1CT:1CT , OCL:180(uH Min) @100KHz/0.1V						
Part No	Insertion Loss (dB Max)		Return Loss (dB Min)		DCMR (dB Min)	
	$1 \leq f < 50 \text{ MHz}$	$50 \leq f \leq 125 \text{ MHz}$	$1 \leq f \leq 40 \text{ MHz}$	$40 < f \leq 125 \text{ MHz}$	$1 < f \leq 30 \text{ MHz}$	$30 < f \leq 125 \text{ MHz}$
QU2100	-0.5	-1	-16	$-(20-10\log_{10}(f/40))$	-48	$-(44-19.2 \log_{10}(f/50))$

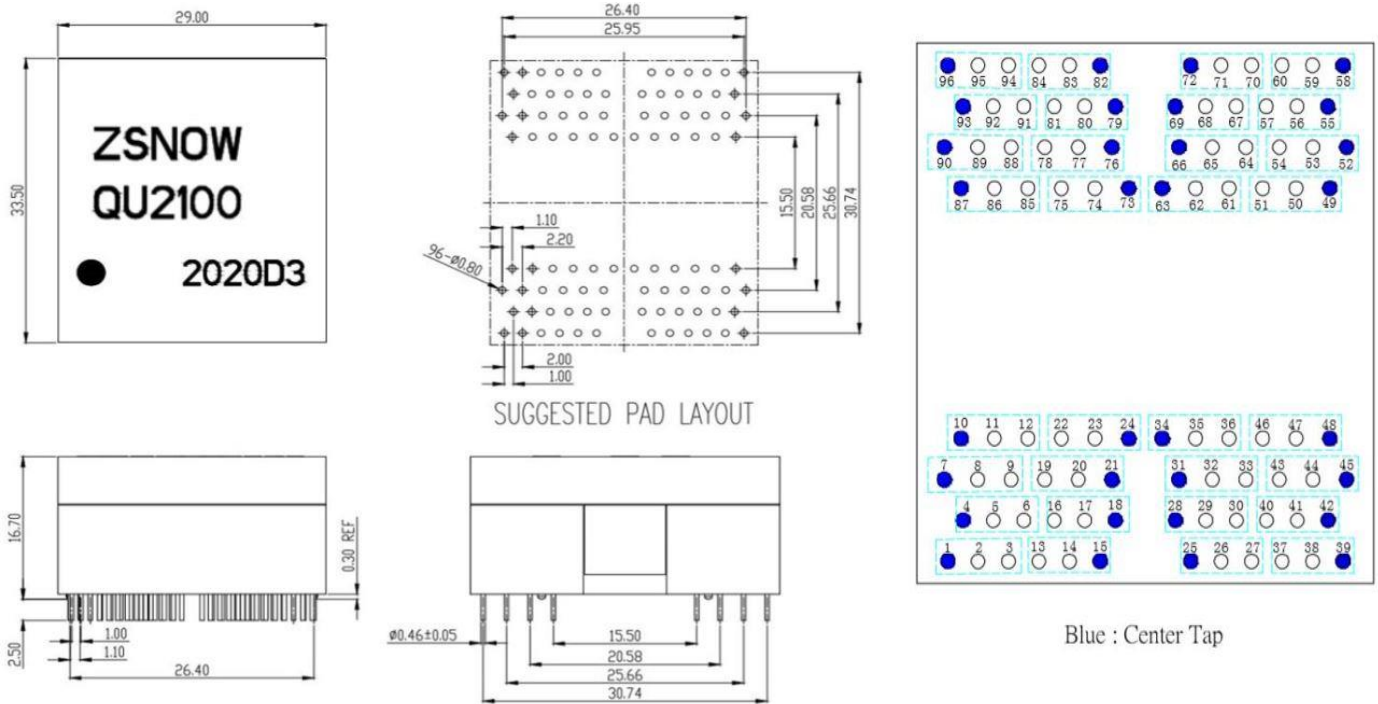
Part No	Cross talk (dB Min)	
	$1 \leq f \leq 100 \text{ MHz}$	$100 < f \leq 125 \text{ MHz}$
QU2100	$20\log_{10} \left[10^{\frac{35.3-15\log_{10}(f/100)}{-20}} + 2 \times 10^{\frac{43-20\log_{10}(f/100)}{-20}} \right]$	-30

Schematic



2.5G BASE-T QUAD PORT LAN FILTER

Mechanical



Dimension: mm / Unless otherwise specified, tolerances: ± 0.25 (mm)