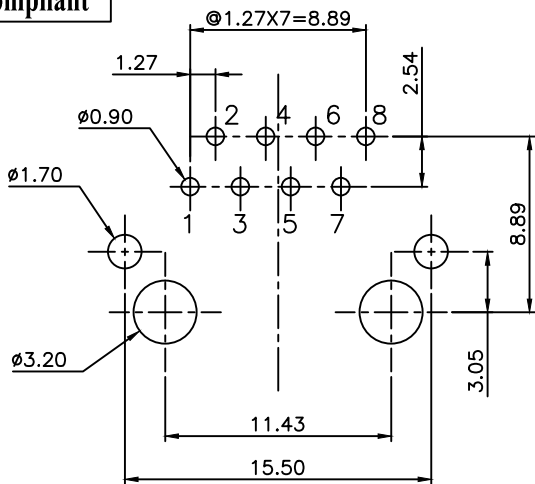
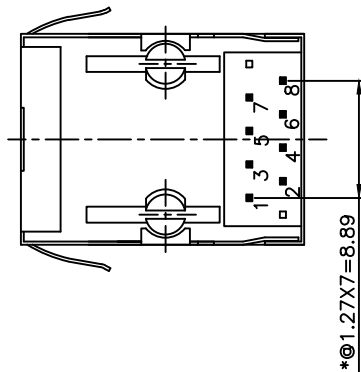
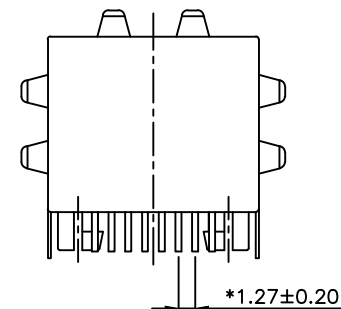
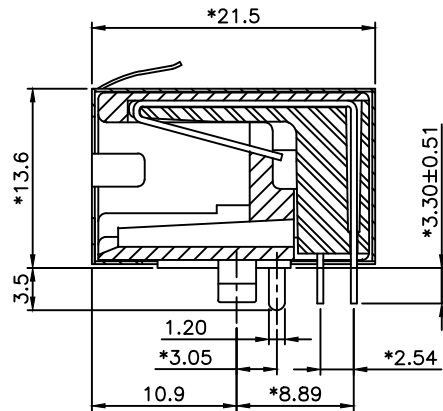
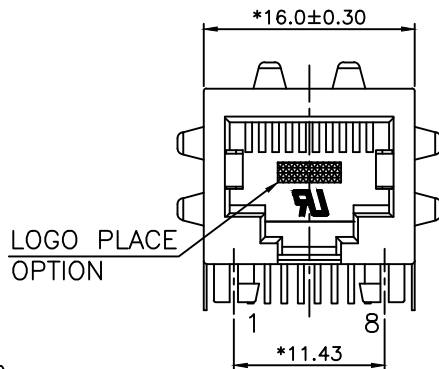


RoHS Compliant



PC Board Layout Component Side Shown
PC Board Thickness=1.6mm PCB TOLERANCE:±0.05



NOTES:

ELECTRICAL:

- 1. VOLTAGE RATING : 125 VAC RMS MIN.
- 2. CURRENT RATING : 1.5 AMP MIN.
- 3. CONTACT RESISTANCE : 45 MILLIOHMS MAX.
- 4. INSULATION RESISTANCE: 1000 MEGOHMS MIN @ 500 VDC.
- 5. DIELECTRIC STRENGTH : 1000 VDC RMS 60Hz, 1MIN.

MECHANICAL:

- 1. HOUSING MATERIAL : PBT UL94V-0./COLOR:BLACK.
- 2. SHIELD MATERIAL : BRASS.
- 3. CONTACT MATERIAL : PHOSPHOR BRONZE T=0.35mm.
- 4. PLATING : GOLD PLATING OVER NICKEL.
- 5. OPERATING LIFE : 750 CYCLES MIN.
- 6. PCB RETENTION PRE-SOLDER : 1 LB MIN.
- 7. PCB RETENTION POST-SOLDER: 10 LBS MIN.

ENVIRONMENTAL:

- 1. STORAGE : -40°C TO +85°C.
- 2. OPERATION: -40°C TO +85°C.
- 3. WAVE SOLDERING TEMPERATURE: 230~240°C(3~5 SECONDS).
- 4. RoHS COMPLIANT.

MATES WITH MODULAR PLUG CONFORMING TO
FCC PART 68, SUBPART F.

CUL FILE NO. E345295

PART NUMBER: ZW2908-XL5074X

0-W/O LOGO
1-W/ ZSNOW LOGO
2-W/ "F" LOGO
1-3u" 2-6u"
3-15u" 4-30u"
5-50u"

Inspection Item APPROVE TIMLEE 03/27/14'	DIMENSION IN mm [Inch]		ZSNOW ELECTRONIC CO., LTD	
	TOLERANCE UNLESS OTHERWISE SPECIFIED		PART NUMBER	DRAWING NUMBER
	.X± 0.30	X.*± 2.0"	SEE NOTE	ZW2908-XL5074X
	.XX± 0.20	.X.*± 1.0"	TITLE	
	.XXX± 0.10		20.57 PCB JACK 10P	
	CHECK TIMLEE 03/27/14'	DRAW HAPPY 03/27/14'	PROJ. SCALE 5 : 2	SHEET 1 OF 1 SIZE A4 REV P1

THIS INFORMATION IS CONFIDENTIAL AND IS DISCLOSED TO YOU ON CONDITION THAT NO FURTHER DISCLOSE IS MADE BY YOU TO OTHER THAN ZSNOW ELECTRONICS PERSONNEL WITHOUT WRITTEN AUTHORIZATION FROM MEMBER ZSNOW ELECTRONICS CO., LTD.